

PNC	Model	Ref	Group	Level	Page	Notes
237702	FCZ101GTG	a	FCZ	Touch	2...10	230V 50Hz STD
237712	FCZ101GTD	b	FCZ	Touch	2...10	230V 50Hz LPG
238702	FCZ101GBG2	c	FCZ	Level B	2...10	230V 50Hz STD
238712	FCZ101GBD2	d	FCZ	Level B	2...10	230V 50Hz LPG
238722	FCZ101GBL2	e	FCZ	Level B	2...10	100V 50/60Hz JAP LPG
239702	FCZ101GCG2	f	FCZ	Level C	2...10	230V 50Hz STD
239712	FCZ101GCD2	g	FCZ	Level C	2...10	230V 50Hz LPG
267702	AOS101GTG1	h	AOS	Touch	2...10	230V 50Hz STD
267712	AOS101GTD1	i	AOS	Touch	2...10	230V 50Hz LPG
267752	AOS101GTP1	l	AOS	Touch	2...10	120V 60Hz USA
267782	AOS101GTW1	m	AOS	Touch	2...10	230V 50Hz UK
268702	AOS101GBG2	n	AOS	Level B	2...10	230V 50Hz STD
268712	AOS101GBD2	o	AOS	Level B	2...10	230V 50Hz LPG
268782	AOS101GBW2	p	AOS	Level B	2...10	230V 50Hz UK
269702	AOS101GCG2	q	AOS	Level C	2...10	230V 50Hz STD
269712	AOS101GCD2	r	AOS	Level C	2...10	230V 50Hz LPG
269792	AOS101GCY2	s	AOS	Level C	2...10	230V 50Hz Bakery
269782	AOS101GCW2	t	AOS	Level C	2...10	230V 50Hz UK
267542	AOS101GAQ1	u	AOS	Level A	2...10	230V 50Hz Nando's
266702	AOS101GKG1	v	AOS	Level K	2...10	230V 50Hz STD
266712	AOS101GKD1	z	AOS	Level K	2...10	230V 50Hz LPG
266752	AOS101GKP1	A	AOS	Level K	2...10	120V 60Hz USA
269752	AOS101GCP1	B	AOS	Level C	2...10	120V 60Hz USA
237802	FCZ101GTZ	C	FZC	Level T	2...10	230V 50Hz STD
238802	FCZ101GBZ2	D	FCZ	Level B	2...10	230V 50Hz STD
239802	FCZ101GCZ2	E	FCZ	Level C	2...10	230V 50Hz STD
266802	AOS101GKZ1	F	AOS	Level K	2...10	230V 50Hz STD
267802	AOS101GTZ1	G	AOS	Level T	2...10	230V 50Hz STD
268802	AOS101GBZ2	H	AOS	Level B	2...10	230V 50Hz STD
269802	AOS101GCZ2	I	AOS	Level C	2...10	230V 50Hz STD
236702	FCZ101GKG	L	FZC	Level K	2...10	230V 50Hz STD
236712	FCZ101GKD	M	FCZ	Level K	2...10	230V 50Hz LPG
236802	FCZ101GKZ	N	FCZ	Level K	2...10	230V 50Hz STD

Pag	Index	Indice	Note
2	Oven cabinet and door.	Cella forno e porta	
3	Water system	Impianto idraulico	
4	Boiler	Boiler	
5	Electrical components	Componenti elettrici	
6	Accessories	Accessori	
7...10	Spare parts list	Lista ricambi	

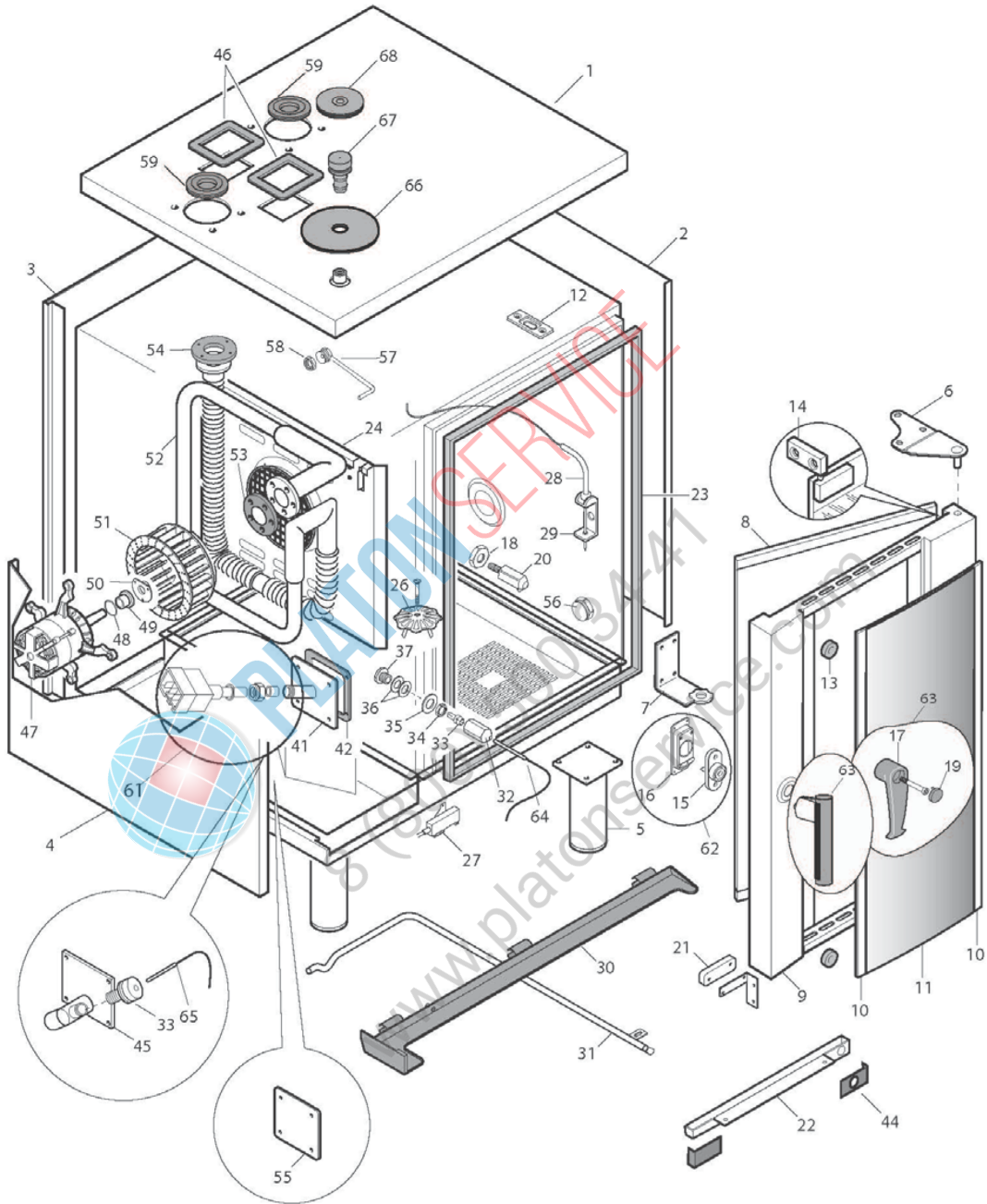
Brand/Marchio: All  
 Factory code: 9PDD

From sr. Nr/ Da Ser. Nr.: 015  
 From status level / Da scatto: 07

Page: 1

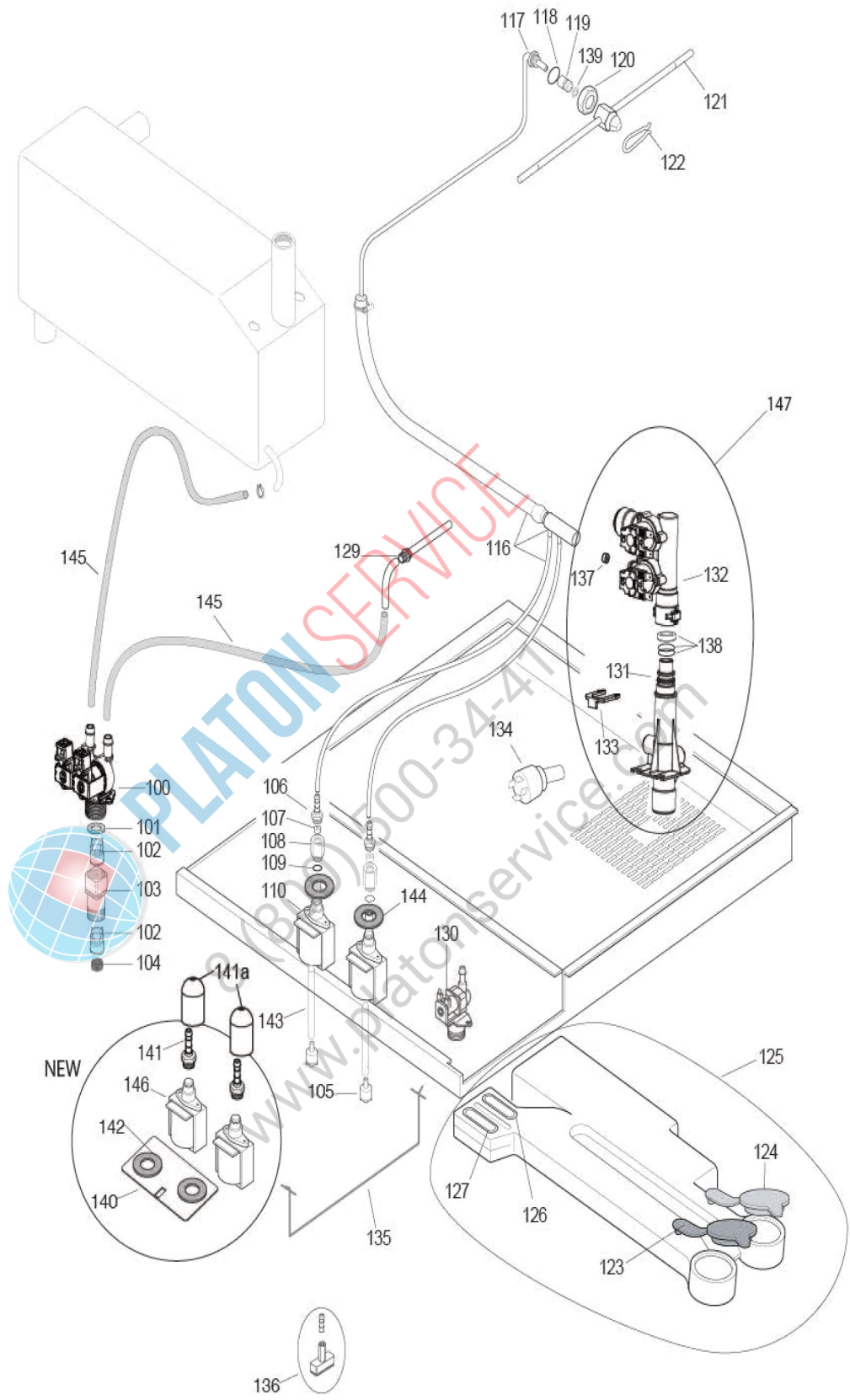
Ed. 2014 03

Doc. Nr.: **875400H00**



??????		268702									
??????		875400H00		????????? 2		Oven cabinet and door					
.		Alias		S		.				(Euro)	
0001	0C6179	0530891500						LID; ONE 061-101G		130,90	
0001	0C6181	0530891700						LID; ONE 061-101G LIV.C	For Level C ,K	151,20	
0002	0C6174	0530890900						RIGHT SIDE; ONE 101		149,20	
0003	0C6190	0530892700						BACK PANEL; ONE 101		106,60	
0004	0C6196	0530893300						LEFT SIDE; ONE 101		139,10	
0005	0C4892	0831850900		S				FOOT; 2"		11,46	
0006	0C4234	0806847803						PLATE; ASSY,UPPER AOSQ		22,43	
0007	0C4235	0806861600	0C9574					PLATE; ASSY.LOWER 6-10 AOSQ			
0008	0C4470	0873869902		S				DOOR GLASS; ASSY; LW101 AOSQ		90,94	
0009	0C4960	0873858407	0C6601		D			DOOR ASSEMBLY; ONE 101			
0009	0C6051	0518806205						SPRING; FOR GLASS		8,66	
0010	0C4476	0806859302		S				PROFILE; EST.LW10 AOSQ		34,92	
0011	0C4471	0574817103	0C8736					CURVED GLASS; EST. LW101 AOSQ	for Group AOS		
0011	0C4943	0574818501						DOOR GLASS; EXT; ONE 101	for Group FCZ	93,38	
0011	0C7972	0574400P00						GLASS	for Nando's model	181,70	
0012	0C4088	0543839700		S				GASKET		8,13	
0013	006976	0543828001		S				SHOCK ABSORBER		4,33	
0014	007007	0806822000		S				HINGE		16,36	
0015	0C4089	0835871801	0C4477					LOCKING MECHANISM			
0016	0C4237	0510824200		S				SUPPORT; LW06-10 AOSQ		18,98	
0017	0C4090	0548871501		S				HANDLE; LW06-10 AOSQ		13,09	
0018	0C4238	0516896401						NUT; FOR CATCH AOSQ		11,72	
0019	0C4091	0546822600		S				PLUG; LW06-10 AOSQ		6,76	
0020	0C4092	0806859900		S				CATCH		35,42	
0021	049627	0699603700						MAGNET		9,82	
0022	0C4239	0528869501						BOWL; LW06-101 AOSQ		59,68	
0023	003926	0147098067	0CB101					SILICONE SEALANT - RED RTV 106; 310 ML		32,00	
0023	0C1477	0831846901		S	A			DOOR GASKET; 725X450MM		120,80	
0024	0C4615	0831847003						SUCTION WALL; AOSQ 101 GAS		283,20	
0026	0C1740	0518808600		S				FILTER		13,26	
0027	049621	0654600000				+		REED SWITCH		15,00	
0028	0C4240	0831831000	0CB214		A			CORE PROBE; AOSQ T.C.MULTIPOINT	for Level Touch	226,30	
0028	0C4241	0831830700	0CB213	S	A			CORE PROBE; SINGLE POINT AOSQ	for Level B e C,K	128,90	
0029	0C1505	0527865201		S				SUPPORT		7,29	
0030	0C4242	0856814000		S				DRIP TRAY; 1/1 AOSQ		19,07	
0031	0C4243	0806858800		S				HOSE		33,19	

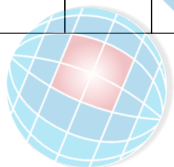
??????	268702									
??????	875400H00	???????? 2	Oven cabinet and door							
.		Alias		S			.			(Euro)
0032	006991	0516855300						NUT		22,43
0033	0C4872	0543842600		S				PLUG; FOR SENSOR	forl Level Touch, B	7,29
0034	020997	0214105101						LOCK NUT		1,25
0035	002700	0508838701						WASHER		3,07
0036	002624	0543816300					Kit	GASKET; SET 50 PCS		24,16
0037	002623	0516809400						PIPE FITTING		10,04
0041	0C4244	0806857201						FLANGE; FOR LAMBDA SONDE	for level A	40,09
0042	0C4093	0543838300		S				GASKET		11,09
0044	0C4094	0543841300		S				GASKET		11,61
0045	0C6351	0806873000						TUBE; WITH FLANGE	for Level B	44,05
0046	007005	0543828901		S				GASKET		6,02
0047	006998	0611806001		S	A			MOTOR ;190W 230 V 50/60 HZ; 4/6 POLES	for Level A e B	228,40
0047	0C1882	0611806901						MOTOR; 100/120V-350W/60HZ	for 100V, 120V models	287,20
0047	0C5287	0611809000		S	A			MOTOR; 1F 4P 190W 200-240V	forl Level C,K	204,00
0048	002873	0543816700						O-RING; ØI=MM.28,17X3,53		2,43
0049	002699	0516808902						BEARING; FOR MOTOR SHAFT		20,50
0050	0C4138	0538815400		S				FLANGE		5,81
0051	0C1129	0831808400	0C6463					FAN BLADE; ASS.	for Level C,K	
0051	0C6463	0835400800		S				FAN BLADE		207,10
0052	0C4318	0831828701		S				HEAT EXCHANGER; AOSQ GAS 10 1/1		797,00
0053	0C1036	0543830700		S				GASKET		35,42
0054	0C1132	0543831301		S				GASKET		17,63
0055	0C4857	0527898900						PLAQUE	for Level C,K	6,33
0056	0C6296	0516892000						PIVOT; FOR CORE PROBE		10,77
0057	0C4975	0856828400		S				WATER PIPE; ONE 101/201 LIV.C	for Level C ,K	42,43
0058	0C6228	0516887101		S				PIPE FITTING	for Level C,K	18,88
0059	0C6200	0543844600		S				GASKET; FOR CHIMNEY		13,09
0061	0C6465			S	A	Kit	PDD2011-10	LAMBDA PROBE; KIT	for level TOUCH	173,60
0062	0C4477	0835872001					D	PDD2010-11	DOOR CLOSING ASSY; AOSQ 6-10	158,30
0063	0C6569	0830400500		S				DOOR HANDLE	for AOS Group	56,64
0063	0C6572	0830400600		S				HANDLE; ASSY	for FCZ Group	17,63
0064	0C6538	0830898902		S	A			TEMPERATURE PROBE; L=500MM		37,66
0065	0C6539	0830899101		S	A			THERMOCOUPLE PROBE; L=1100MM; STRAIGHT	For TOUCH,B	40,19
0066	0C7016	0543400900		S				GASKET; ØE=74MM; ØI=17MM; H=12,5MM		4,01
0067	002692	0543816601						CAP; DESCALING LOAD IN THE BOILER		6,76
0068	0C4965	0543843201		S				BUFFER		12,04



From sr. Nr/ Da Ser. Nr.: 015  
 From status level / Da scatto: 07

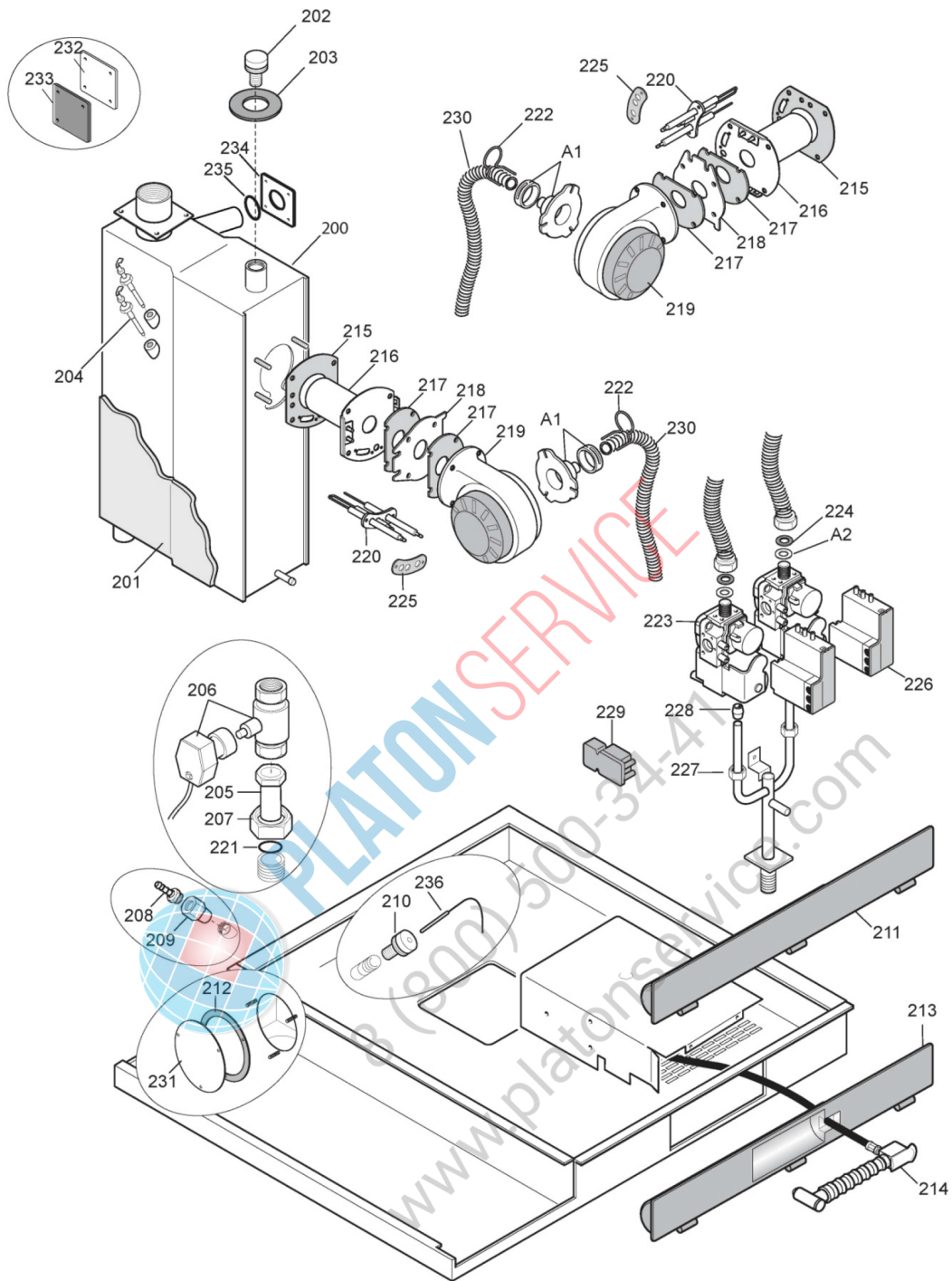
??????	268702									
??????	875400H00	???????? 3	Water system							
.		Alias		S			.			(Euro)
0100	0C5385	0835872300		S				HOSE CLAMP; DN 16X8		1,80
0100	0C5517	0696808400		S	A			WATER SOLENOID VALVE; 2 VIE/180 5/L MIN	for Level Touch,B	33,36
0100	0C5829	0544819400	0C4832	S				TUBE; BLU; 10X17; BY METER		
0101	0C4096	0543840600		S				FILTER GASKET		1,27
0102	0C2312	0549801800		S				NONRETURN VALVE		5,86
0103	0C2313	0516879400		S				PIPE FITTING	for Level Touch,B	29,54
0104	0C4096	0543840600		S				FILTER GASKET		1,27
0105	0C1155	0831811400		S				FILTER		15,97
0106	0C4198	0516896101		S				RUBBER HOLDER; G1/4" DIA 4 MM		13,30
0107	0C1117	0544809000		S				NONRETURN VALVE		6,90
0108	0C1116	0516871900		S				FITTING; RINSE AND DETERGENT PUMPS		10,29
0109	0C1935	0543832300		S				O-RING; Ø=6,75X1,78 MM		1,02
0110	0C2341	0680801201	0CA120					PUMP		
0110	0C2342	0680801301		S	A			ELECTRIC PUMP; 120V 60HZ 32W	for 60Hz models	60,39
0116	0C6202	0805400200		S				MANIFOLD; ASSY; C.S.ONE 061-101		32,68
0117	0C6031	0806871100		S				DUCT; ASSY		41,21
0118	0C4201	0543841400		S				GASKET; 17X22X1,5		2,53
0119	0C4467	0516898301		S				BUSHING; FCS 6		10,77
0120	0C4202	0516896000		S				LOCK NUT; INOX M16X1.5X6H		5,33
0121	0C5503	0806873900	0C8317					WASH ARM; ASSY; L=422MM		
0122	007026	0518807100		S				SPRING		14,25
0123	0C1151	0544808100		S				PLUG BLU		3,08
0124	0C1152	0544808200		S				RED CAP		2,76
0125	0C4426	0873857102		S				RESERVOIR; ASSY		52,07
0126	0C1154	0544808900		S				WALL RED		4,13
0127	0C1153	0544808400		S				WALL BLU		4,13
0129	007075	0H22982800		S				PIPE	for Level Touch, B	29,84
0129	0C4977	0856828600		S				WATER PIPE; ONE 061-101-201 LIV. C	for Level C,K	28,62
0130	0C5515	0696808200		S	A			WATER SOLENOID VALVE; 1 VIA/180°	for Level C,K	15,86
0130	0C6170	0696808800		S	A			SOLENOID VALVE; 1VIA; 230V 50/60HZ	for Level B	15,86
0131	0C6370	0831857200		S				MANIFOLD; ASSY		42,43
0132	0C6373	0696400100			D	PDD2012 -17		WATER DISTRIBUTOR; 1U-230V 1U-110V 50/60	for Level Touch USA	70,04
0132	0C6374	0696808600			D	PDD2012 -17		WATER DISTRIBUTOR; 2 OUTPUP; 230V 50/60H	For level Touch,B	100,30
0132	0C6406	0696400300			D	PDD2012 -17		WATER DISTRIBUTOR; 1U.230V- 50/60HZ	for Level C,K	55,52
0132	0C6408	0696400500						WATER DISTRIBUTOR; 1U.110V-50/60HZ	for Level C USA	60,19
0133	0C6222	0546825100		S				SAFETY DEVICE		6,26

??????	268702								
??????	875400H00	???????? 3	Water system						
.		Alias		S			.		(Euro)
0134	0C6217	0646817200		S	A			PRESSURE SWITCH; GP600	33,50
0135	0C5426	0513805000		S				STIRRUP	14,15
0136	0C6467			S		Kit		TANK SUPPORT; KIT	4,46
0137	0C6375			S		Kit		FLOW REDUCER; KIT 4PCS	11,67
0138	061303			S				RING	1,02
0139	0C6421	0219035015		S				SPRING RING	1,02
0140	0C7924	0505401R00		S				FIXING PLAQUE	6,22
0141	0C8348	0544400C01	OCA348					RUBBER HOLDER; DIA.5MM 1/8"	
0142	0C7925	0543400R00		S				CABLE GROMMET; ØINT 24.6 ØEST 38	15,23
0143	0C2309	0546814600		S				TUBE; BY METER	6,66
0144	005382	0246530100		S				GROMMET; DIA.22	1,99
0145	0C5829	0544819400	0C4832	S				TUBE; BLU; 10X17; BY METER	
0146	0C8347	0686400100	OCA120					PUMP; 230-240V 50-60HZ; UL	
0147	0C3464	0835870400						PRESSURE REDUCER; 3/4"	139,10
0147	0C5562	0831854100	0C8316					FEEDER HOSE; DIA 3/4" L=150 CM	
0147	0C8683	0835400L00		S				WATER INLET GROUP; 220 240V UL	122,80
0147	0C8684	0835400M00		S				WATER INLET GROUP; 220 240V UL	For level C,K 102,50
141a	0C9538	0546400J00						PROTECTING CAP; BLACK	



8 (800) 303-1111

www.platonservice.com



GAS	AERATORE/AERATOR		DIAFRAMMA/DIAPHRAGM		DIAFRAMMA/DIAPHRAGM	
	POS. A1 CELLA/CAVITY	POS. A1 BOILER	POS. A2 CELLA/CAVITY	POS. A2 BOILER	POS. 218 CELLA/CAVITY	POS. 218 BOILER
G20	OC1045 (ROSSA/RED)	0806826600 (VERDE/GREEN)	OC1139 (ø 7)	OC2444 (ø 7,5)	OC4110 (ø 18)	OC4125 (ø 21)
G25	OC1045 (ROSSA/RED)	0806826600 (VERDE/GREEN)	OC1141 (ø 8)	OC1143 (ø 8,5)	OC4110 (ø 18)	OC4125 (ø 21)
G30	OC1045 (ROSSA/RED)	0806826600 (VERDE/GREEN)	OC2442 (ø 5.5)	OC2446 (ø 5,8)	OC4110 (ø 18)	OC4110 (ø 18)
LPG	OC1045 (ROSSA/RED)	0806826600 (VERDE/GREEN)	OC1140 (ø 5.7)	OC1142 (ø 6,15)	OC4110 (ø 18)	OC4110 (ø 18)

From sr. Nr/ Da Ser. Nr.: 015  
From status level / Da scatto: 07

Page: 4

Ed. 2014 03

Doc. Nr.: **875400H00**

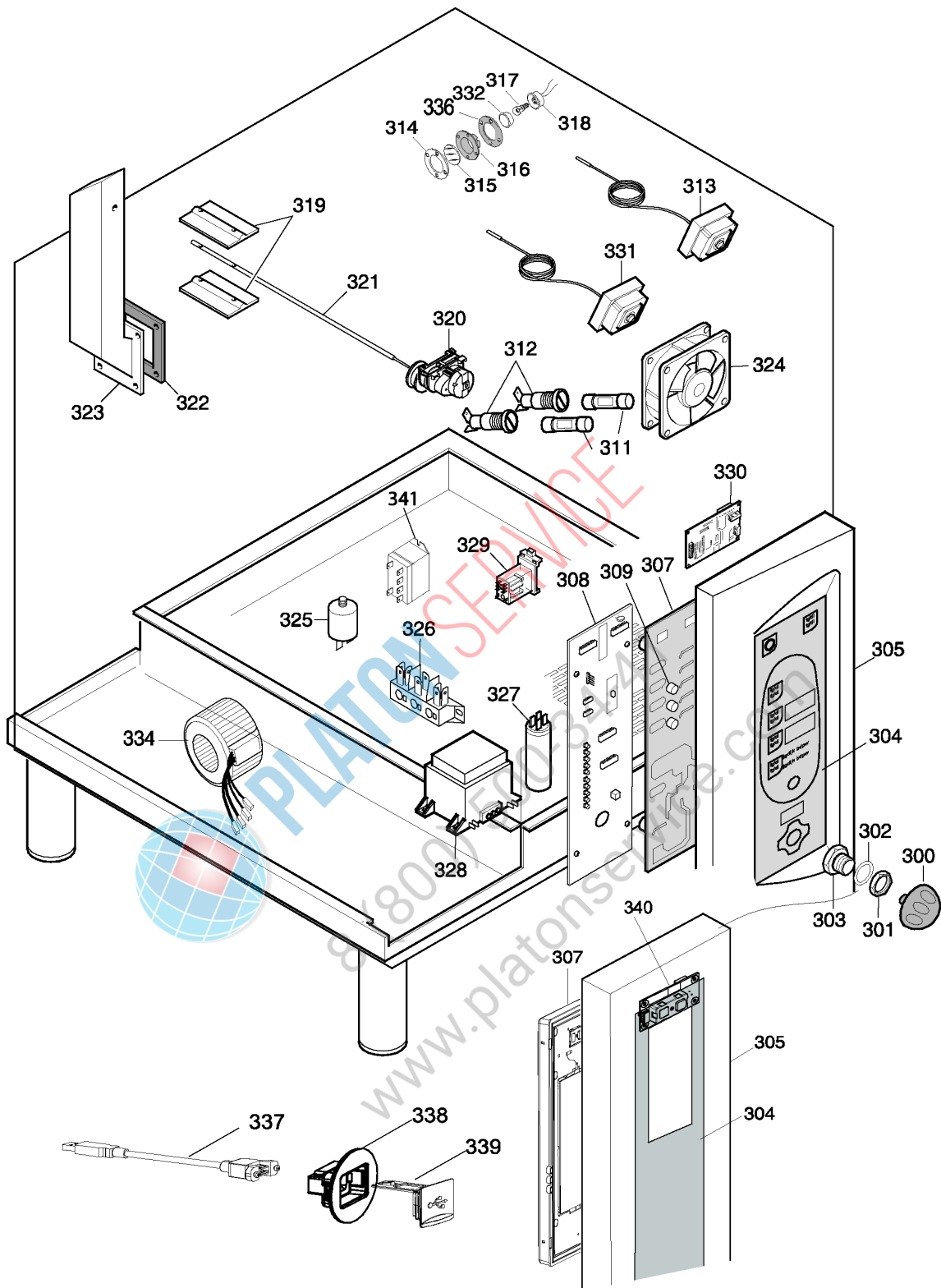


??????		268702									
??????		875400H00		????????? 4		Boiler					
.		Alias		S			.				(Euro)
0000	0C1045			S				AERATOR			46,59
0000	0C1139			S				NOZZLE; DIA. 7.00			4,75
0000	0C1140			S				NOZZLE; 5.70			8,23
0000	0C1141			S				NOZZLE; DIA. 8.00			8,23
0000	0C1142			S				NOZZLE; DIA. 6.15			8,23
0000	0C1143							NOZZLE; DIA.8.50			8,23
0000	0C2442			S				NOZZLE; DIA. 5,50			8,23
0000	0C2444			S				NOZZLE; DIA 7,50			10,04
0000	0C2446			S				NOZZLE; DIA.5,80			7,39
0000	0C4110			S				FLANGE; 18MM; AOSQ			21,62
0000	0C4125			S				FLANGE; 21MM			20,60
0000	0C4629	0806826600		S				AERATOR; W/O-RING GREEN			51,97
0200	0C7026	0830400L00	0C9668		D		PDD2013-08	BOILER; GAS ONE 101 102 201	for Level Touch, B		
0201	0C4123	0560852501		S				BOILER INSULATION; GAS AOSQ 101 102 20	for Level Touch e B		104,50
0202	002692	0543816601						CAP; DESCALING LOAD IN THE BOILER	for Level Touch, B		6,76
0203	002634	0543817500	0C7016					BUFFER	for Level Touch, B		
0204	0C4098	0831831901	007033					LEVEL PROBE	for Level Touch, B		
0205	0C1063	0516868600	0C8412					PIPE FITTING	for Level Touch, B		
0206	0C0882	0696804201	0CB250	S	A			MOTOR-OPERATED VALVE; 3/4" 230V 50/60HZ	for Level Touch, B		144,10
0206	0C5518	0696808500	0CB251	S				BALL VALVE; 3/4" USA 240V 50/60HZ	for Level Touch 60Hz		145,10
0207	0C1062	0516868500		S				NUT	for Level Touch, B		18,17
0208	0C5564	0510828000		S				RUBBER HOLDER; 1/4"; FOR TUBE DIA.10MM			5,33
0209	0C4099	0516879600		S				NOZZLE; 1/4"FD3.5-3/8"M	for Level Touch, B		18,88
0210	0C4872	0543842600		S				PLUG; FOR SENSOR	for Level Touch, B		7,29
0211	0C8597	0546821401						FRONT PANEL	Level C e B,K		23,14
0212	0C7033	0543400000		S				GASKET	for level TOUCH		17,95
0213	0C4532	0546815103						FRONT PANEL; LOWER; 6-10 1/1 AOSQ	for Level Touch		92,16
0214	0C4248	0873881200		S				SHOWER UNIT; AOSQ	for Level Touch		257,80
0215	0C4101	0543838200		S				BURNER SEALING; AOSQ			12,98
0216	0C4289	0831827502		S				BURNER; ASSY; AOSQ 101 102 201 202			139,10
0217	0C4102	0543838100		S				GASKET; FOR FAN			10,24
0218	0C4110	0538819000		S				FLANGE; 18MM; AOSQ			21,62
0219	0C4103	0611808300		S	A			FAN; COMPLETE			203,00
0220	0C4462	0831846502		S				IGNITION +DETECT.ELECTRODES; L=380MM			56,64
0221	002874	0543816800						O-RING; ØI=31,34X3,53 MM	for Level Touch, B		3,48

??????	268702									
??????	875400H00	???????? 4	Boiler							
.		Alias		S			.			(Euro)
0222	0C1044	0518807600						SPRING	for Level Touch, B	5,81
0223	0C1057	0835859601		S	A			GAS VALVE; 848 SIGMA		140,70
0223	0C1879	0835867200		S				GAS VALVE; 220V 60HZ; USA	USA Version	133,00
0224	0C4096	0543840600		S				FILTER GASKET		1,27
0225	0C4104	0543841100		S				GASKET; FOR SPARK PLUG		12,04
0226	0C4260	0624810800		S				FLAME CONTROL DEVICE; 579DBC		98,96
0227	0C1058	0516847000						NUT; 3/4" DIA 16		18,57
0228	052671	0515801715						DOUBLE CONE		1,97
0229	0C4105	0624810600		S				IGNITER; 220-240V; 50/60HZ		35,32
0230	0C1054	0517877101						PIPE; 398 MM.	for Level Touch,B	37,15
0230	0C1084	0517877001						PIPE; L 330 MM	for Level Touch, B	35,12
0231	0C3443	0J89061403						WASHER; FOR DOOR	for Level Touch	15,84
0232	0C4856	0527898700						FLANGE	For Level C,K	6,76
0233	0C4963	0543842800		S				GASKET; FOR BOILER	For Level C,K	19,54
0234	0C6449	0527878700						FLANGE	For level TOUCH,B	13,83
0235	0C6450	0543839200		S				O-RING; DIA.40,87X3,53	For level TOUCH,B	4,22
0236	0C0326	0830899100	0C6539					PROBE; 1200 MM	for Level TOUCH, B	



PLATON SERVICE  
8 (800) 500-34-41  
www.platonservice.com



From sr. Nr/ Da Ser. Nr.: 015  
 From status level / Da scatto: 07

Page: 5

Ed. 2014 03

Doc. Nr.: **875400H00**

??????	268702											
??????	875400H00	???????? 5	Electrical components									
.		Alias		S			.					(Euro)
0300	0C5600	0806874001	0C4875									
0301	051263	0214114900										3,80
0302	002727	0508836400										1,02
0303	002662	0516807301										6,02
0304	0C4948	0675855001										67,90
0304	0C4949	0675855102										56,43
0304	0C6549	0548400502										72,98
0304	0C6551	0548400B00										59,28
0304	0C6553	0548400F01										65,37
0304	0C6556	0548400J01										72,37
0304	0C7961	0675847601										273,00
0304	0C8084	0548401900										285,20
0304	0C8706	0548401G00										82,72
0305	0C4901	0873895902										244,60
0305	0C4902	0873896002										221,30
0305	0C4903	0873896102										221,30
0305	0C4930	0831844900		S								155,00
0305	0C6583	0870400601										264,90
0305	0C6592	0870400J00										232,40
0305	0C6593	0870400K01										264,90
0305	0C7030	0875401801										328,90
0305	0C8711	0875401U00										336,00
0307	0C0041	0675838802		S	A							332,90
0307	0C0043	0675837904		S	A							604,00
0307	0C4891	0675854600				D	PDD2012-16					347,10
0307	0C6570	0675400802		S	A							426,30
0307	0C6571	0675400A00	0CA070									
0307	0C7350	0675854602		S	A							348,10
0308	0C0042	0675837808		S	A							588,00
0308	0C3750	0546814001	0C3751	S								
0309	0C5833	0546824600		S								1,02
0311	058869	0652800701		S								1,02
0311	058871	0652800901										1,02
0311	0C1480	0652803300		S								1,25
0311	0C1884	0652804500		S								61,71
0311	0C2236	0652805200		S								1,92

??????	268702									
??????	875400H00	???????? 5	Electrical components							
.		Alias		S			.			(Euro)
0311	0C2237	0652805300		S				FUSE; 6,3A FAST 5*20 WEBER 0404306	for 120V models	1,91
0311	0C2301	0652803900		S				FUSE; OMEGA 800MA (COD. ST22180)		1,27
0311	0C2953	0652803200		S				FUSE; T 2,5A 250V	for 100V,120V models	1,25
0312	0F0031	0652802100	0CB128					FUSE HOLDER; SET 2PCS		16,08
0313	006314	0646810802		S				SAFETY THERMOSTAT; 338 C	for 120V models	121,80
0313	007042	0646812200		S	A			SAFETY THERMOSTAT; 357°C		93,15
0314	002628	0508840801						FLANGE		4,01
0315	002627	0574804900					+	LAMP GLASS		10,24
0316	002626	0543842000					+	LAMP HOLDER GASKET		15,39
0317	0C4396	0660808300	0C9877		A			HALOGEN LAMP; 12V-10W 300GR C.		
0318	007055	0660806401		S				LAMP HOLDER		21,72
0319	007081	0508896801		S				JALOUSIE		18,98
0320	0C5501	0680802300	0C0883					GEARMOTOR; 230V-50HZ		
0320	0C5502	0680802400	0C8695					GEARMOTOR; 24V-60HZ; USA	for 120V models	
0321	000000									
0322	007053	0543828600		S				GASKET		19,54
0323	0C4285	0831828500		S				PIPE		73,38
0324	0C4106	0624811000	0CB143		A			FAN; 220/240V 50/60HZ		37,76
0325	0C4950	0694805900		S	A			RIF FILTER		14,46
0326	046357	0639804900						TERMINAL BOARD;3POLE; TYPE TIPO FV 110B		5,33
0327	047541	0694604400						CAPACITOR; 12,5MF	For 100V models	12,31
0327	047541	0694604400						CAPACITOR; 12,5MF	for Level A e B not for USA models	12,31
0327	0C4812	0694804601		S	A			CAPACITOR; 60 MF	For 120V models	46,69
0327	0C5526	0694806000		S				CAPACITOR; 8 MF	for Level C,K	13,73
0328	007046	0624807100	0C9865					TRANSFORMER;100/200/230V 12/24V 50/60HZ	for 100V models	45,67
0328	0C6895	0624400100	0C6400		A			TRANSFORMER; 70VA 230V 11.5/24V 30/40VA		
0329	058857	0648803001						RELAY	for Level A e B	25,12
0329	088086	0648723800		S				RELAY; COIL 100-120VAC; G7L-2A-TUB	for 120V models	39,18
0329	0C1883	0648808000						RELAY; 10A 120V 50-60HZ; USA	for 120V,100V models	22,13
0330	007047	0624807002		S	A			POWER SUPPLY BOARD; LAMBDA PROBE	for Level A	145,10
0331	006433	0646810902		S	A			SAFETY THERMOSTAT; 150 C	for 120V models	166,80
0331	0C1147	0646812900		S	A			SAFETY THERMOSTAT; 150°C		93,15
0332	0C4459	0509803900		S				LAMP CAP		5,91
0334	0C6945	0624400000		S	A			TRANSFORMER; 450VA 12/24/120/208/220/240	for 120V models	218,20
0336	0C5451	0543843500		S				LAMP HOLDER GASKET	For Level TOUCH	4,54
0337	0C6566	0638400Y00		S				USB EXTENSION; L=340MM		12,46

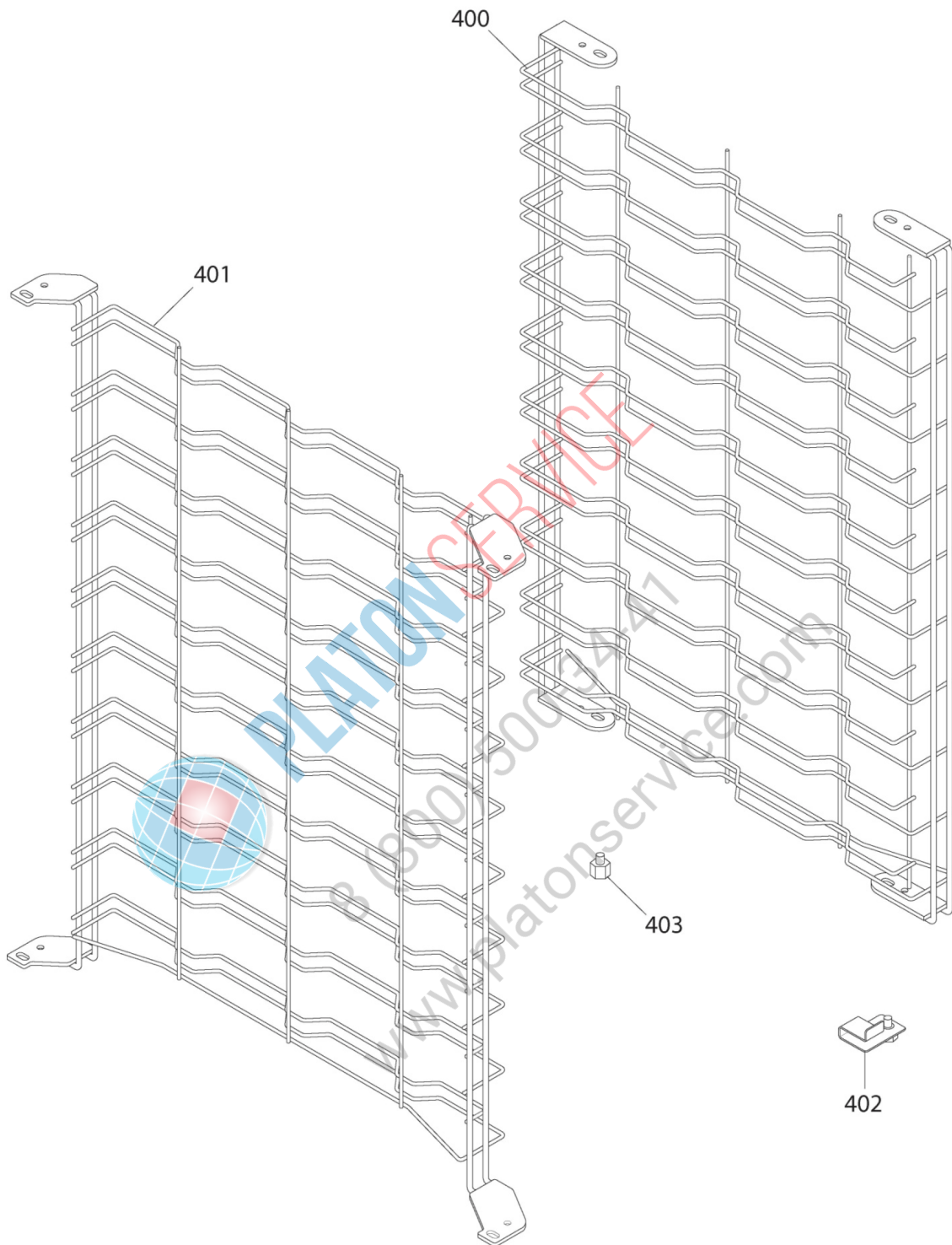
??????	268702								
??????	875400H00	???????? 5					Electrical components		
.		Alias		S			.		(Euro)
0338	0C6547	0546400200					BOWL; FOR USB	for TOUCH level	3,17
0339	0C6546	0541400A00					PLUG; PER USB	for TOUCH level	5,29
0340	0C8033	0675858601					BUTTON; 0/I; TOUCH	For TOUCH level	52,27
0341	088267	0648722900		S			RELAY; COIL 200-240VAC		39,18



**PLATON SERVICE**

8 (800) 500-34-41

www.platonservice.com



??????	268702									
??????	875400H00	???????? 6	Accessories							
.		Alias		S			.			(Euro)
0400	0C4862	0831849200						CHROME GRID; DX ONE 101		119,80
0401	0C4861	0831848900						CHROME GRID; SX ONE 101		126,90
0402	0C4961	0806872800		S				SUPPORT		27,51
0403	0C0325	0830899000		S	A			TEMP.PROBE; THERMOCOUPLE; L=85CM; BOILER	for Level A e B	39,89
0403	0C0326	0830899100	0C6539					PROBE; 1200 MM	for Level A e B	
0403	0C5620	0511828100		S				BAKING PAN SUPPORT		11,41
0403	0C6538	0830898902		S	A			TEMPERATURE PROBE; L=500MM		37,66



PLATON SERVICE

8 (800) 500-34-41

www.platonservice.com